

The Multi-Plate Radiation Shield protects temperature, relative humidity or barometric pressure sensors from error-producing solar radiation and precipitation. This shield relies on a combination of plate geometry, material and natural ventilation to provide effective shielding. The radiation shield reflect sunlight from any direction, prevent sun direct radiation and reflection on the ground to the sensor radiation, to protect the instrument from the effects of strong winds, rain, snow, etc. Freely through the air, making instrument work in ventilated environment, to ensure the accuracy of measured data. Products with high reflectivity and low thermal conductivity, resistance to ultraviolet ray function, can be used in extreme weather conditions.

INSTALLATION TIPS

- Good air circulation around shield
- Away from large masses (asphalt, masts, solar panels) especially metal items
- Away from exhaust vents, electrical machinery and motors
- Away from standing water, water fountains and sprinklers

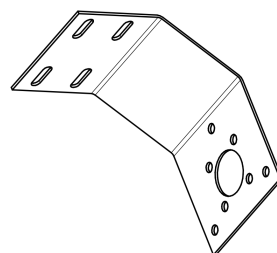
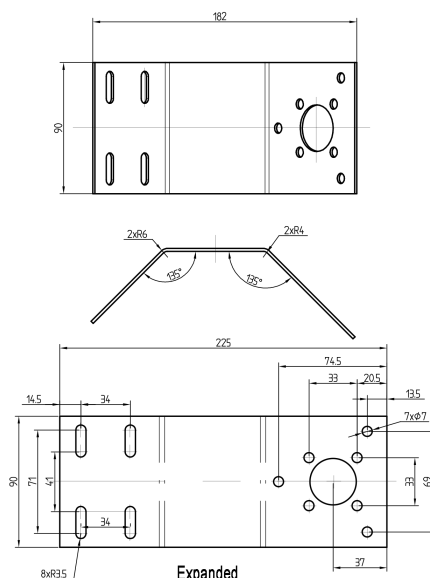


SPECIFICATIONS

Item	Specifications
Number of plates	4 -20 plates optional, typ.:11, 14, 19
Color	White
Material	Anti-radiation ABS engineering plastics & Stainless steel screw
Operating temperature	-40°C -+75°C
Dimension	Inner diameter:62mm, Outer diameter:140mm/180mm Height:180mm(11 plates),220mm(14 plates),280mm(19 plates)
Optional accessories	Metal bracket(304SS), Embrace hoop screw(inner diameter:60mm,304SS)

BRACKET DIMENSION

Unit:mm



All 304 stainless steel material

DIMENSION



Plates	Inner space(mm)	D1(mm)	H1(mm)	H2(mm)
4	ø62*45	140	51	approx.55
5	ø62*57	140	64	approx.55
6	ø62*70	140	76	approx.55
7	ø62*82	140	89	approx.55
8	ø62*95	140	101	approx.55
9	ø62*107	140	114	approx.55
10	ø62*120	140	126	approx.55
11	ø62*132	140	139	approx.55
12	ø62*145	140	151	approx.55
13	ø62*157	140	164	approx.55
14	ø62*170	140	176	approx.55
15	ø62*182	140	189	approx.55
16	ø62*195	140	201	approx.55
17	ø62*207	140	214	approx.55
18	ø62*220	140	226	approx.55
19	ø62*232	140	239	approx.55
20	ø62*245	140	251	approx.55

ADAPTER WATERPROOF GLANDS



PG Glands	
Model	Cable/Sensor Diameter(mm)
PG7	3-6.5
PG9	4-8
PG11	5-10
PG13.5	6-12
PG16	10-13
PG19	12-15
PG21	13-18
PG25	16-21
PG29	18-25
PG36	22-32

NOTE: The default matching PG7, if you need other models, please confirm with us before order.

WATERPROOF GLANDS SPECIFICATIONS

PG cable glands




Item	D(mm)± 0.1	B(mm) ± 0.1	D2(mm) ± 0.1	L(mm)± 0.1	L1(mm) ± 0.1	L2(mm) ± 0.1
PG 7	12.4	17.6	19.5	30.3	8	4.6
PG 9	15.2	21.9	23.7	32.6	8	4.6
PG 11	18.2	23.73	26.1	34.4	8	5
PG 13.5	20	26.8	29.4	36.4	9	5
PG 16	22.2	28.8	31.9	37.5	10	5.3
PG19	23.9	28.9	31.9	40	10	5.3
PG 21	28.2	35.7	38.9	44.6	10	5.6
PG 29	36.5	46	50.5	50.7	13	7
PG 36	46.7	58.7	64	58.4	13.7	7.4

PARAMETER SELECTION TABLE

Remark	Series	Type	Outer diameter	Plates	Bracket	Base shape	
RK							
	95						
		01					
			A				140mm
			B				180mm
				P*			Number of plates
					A		With mounting bracket
					B		Without mounting bracket
						G	Glands(default)
						C	Movable connector

Example: RK95-01AP11BG/PG7 Outer diameter:140mm, 11 plates, Without mounting bracket, Glands:PG7


 Complies with applicable CE directives.

Specifications subject to change without notice. Version 3.0

Copyright © 2015 Hunan Rika Electronic Technology Co.,Ltd

Hunan Rika Electronic Technology Co., Ltd

Add:No 499# of Yingxin Road,
Yuhua District,Changsha,
Hunan,China

 +86-731-85132979

 info@rikasensor.com

 www.rikasensor.com.cn