

RK110-02 Wind Direction Sensor

The RK110-02 wind direction sensor is a sensitive wind direction indicator that gives a visual indication of wind direction. High precision magnetic sensitive chips are built in the housing shell. The wind vane is constructed on low inertia light metal to show wind directions. The product is wide range, good linearity, strong anti-lightning strike, good performance.

FEATURES

- Low starting threshold
- Great dynamic characteristics
- Overall carbon fiber material
- Strong corrosion resistant ability
- Light structure
- Various output signals optional
- Easy Installation



APPLICATIONS

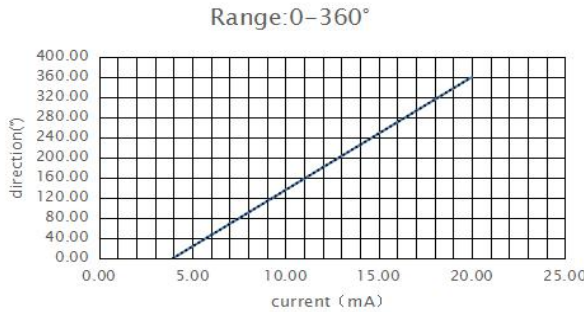
- Weather monitoring stations
- Ports
- Solar and wind power generation
- Mobile weather monitoring vehicles
- Remote airports & helipads

SPECIFICATIONS

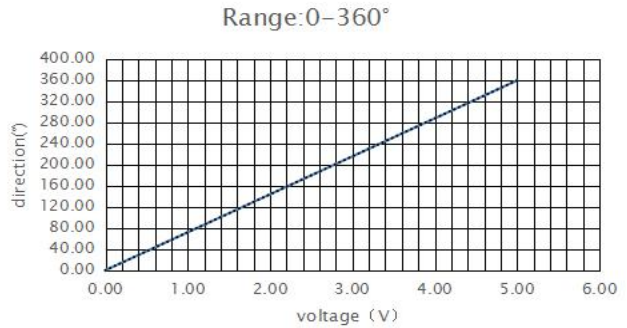
Output	4-20mA	0-5V	RS485
Supply Voltage	5V,12V-24V	5V,12V,24V	5V,12V-24V
Load Capacity	<500Ω(typ 250Ω)	>1kΩ	
Range	0~360°		
Accuracy	±3°		
Resolution	1°		
Starting Threshold	<0.5m/s		
Limit wind speed	50m/s		
Ingress Protection	IP65		
Operating Temperature	-40℃~+50℃		
Cable Grade	Nominal voltage:300V ,Temperature grade:80℃		
Weight(unpacked)	195g		
Dimension	Turning Radius:147mm,Height:199mm		
Main material	Carbon fiber		
Storage Condition	10℃-50℃@20%-90%RH		

OUTPUT CHARACTERISTICS

- Current (4-20mA)**



- Voltage (0-5V)**



- RS485**

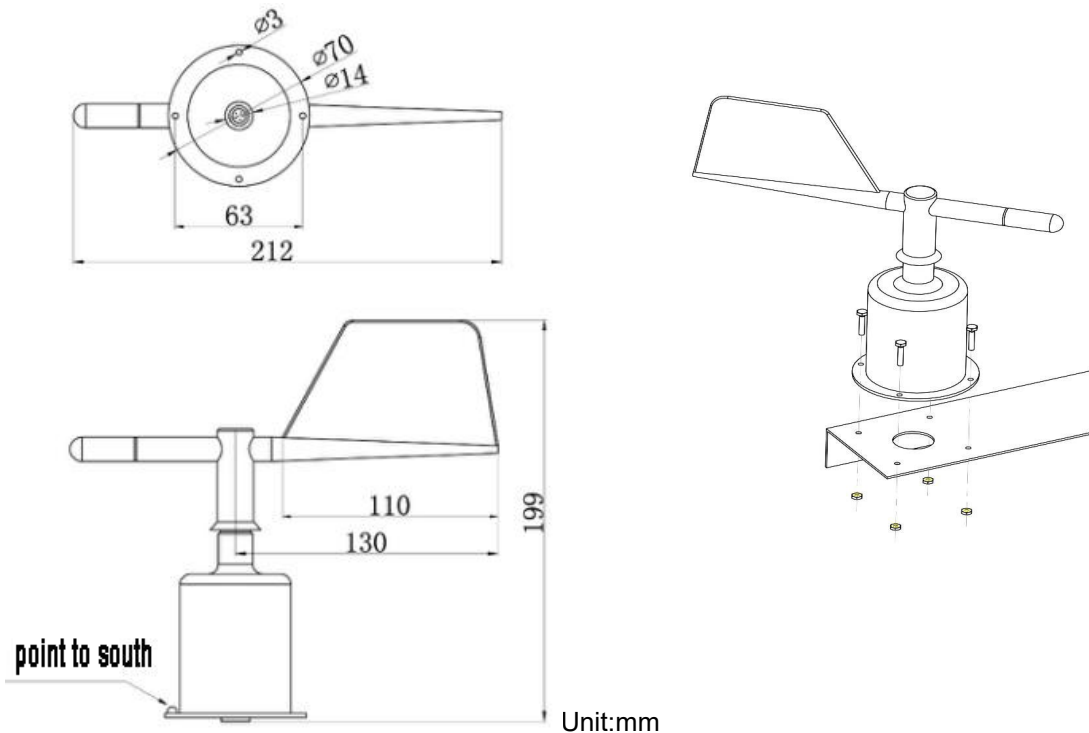
If the transmission distance is over 100m, please add a 120Ω terminal matching resistances on the front end and back end of bus interface respectively. See the modbus communication protocol specification.

DIMENSION & MOUNTING

Flange mounted, fix the four screws on the bracket and keep the product horizontal.

There is a arrow marker on the label. Please make sure the marker is pointed to the south during installation (you can use a compass for positioning).

Connector dimension: $\varnothing 15\text{mm}$ (recommended reserving $\varnothing 25\text{mm}$ for wiring)



PARAMETER SELECTION TABLE

Remark	Series	Type	Supply	Output	Cable Length	
RK						
	110					
		02				
			A			5V
			B			
			C			12-24V
			X			Other
				A		4-20mA
				B		0-5V
				C		RS485
				X		Other
					2500	Units:mm(typ)
					3000	Units:mm
					...	Units:mm

Example: RK110-02CA2500 Supply:12-24V,Output:4-20mA,Cable Length:2.5m.



Complies with applicable CE directives.

Specifications subject to change without notice. Version 3.0

Copyright © 2015 Hunan Rika Electronic Technology Co.,Ltd

Hunan Rika Electronic Technology Co., Ltd

Add:No 499# of Yingxin Road,
Yuhua District,Changsha,
Hunan,China



+86-731-85132979



info@rikasensor.com



www.rikasensor.com.cn