

RK330-05 Atmospheric Temperature & Humidity Sensor is a professional measurement of air temperature & relative humidity. Sensors are built-in the water-proof and anti-UV shelter. It is widely used in agriculture, forestry, meteorology as well as a climate chamber, warehousing and other places. This model also can be equipped with RK95-02B to protect the sensors from solar radiation and rain.

FEATURES

- High accuracy
- High sensitivity
- Fast response time
- Long service life
- Low consumption
- Good stability of output
- Wide temperature range
- Wide voltage power supply



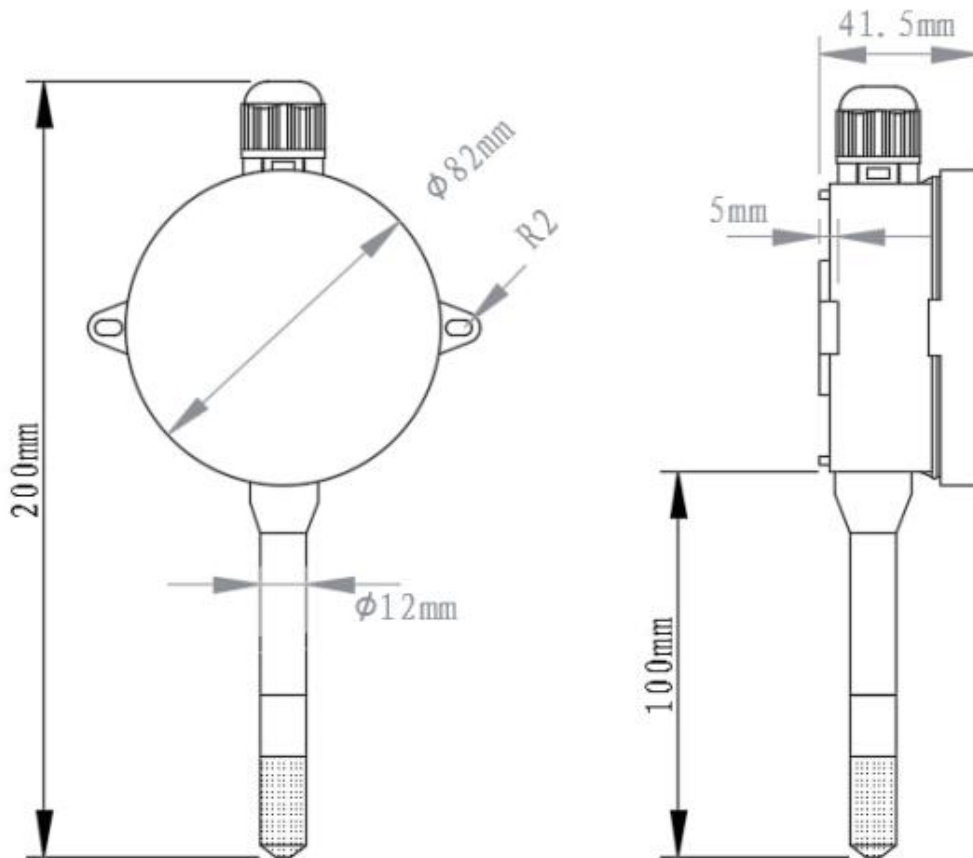
APPLICATIONS

- Environmental monitoring
- Livestock farm
- Storage
- Forestry
- Greenhouse
- Agriculture

TECHNICAL SPECIFICATION

Item	Technical Specification	
	Temperature	Humidity
Range	-40-+80°C optional	0-100%RH
Resolution	0.05°C	0.5%RH
Accuracy	±0.2°C	±3%RH, ±2%RH,
Supply	12-24VDC	
Output Signal	4-20mA, 0-5V, 0-10V, RS485(MODBUS)	
Power Consumption (U _s : power supply)	4-20mA: P ≤ U _s * 0.02W 0-5V/0-10V: P ≤ U _s * 0.008W RS485: P ≤ U _s * 0.015W	
Operating Temperature	-40°C-+80°C	
Ingress Protection	IP65	
Storage	10-60°C @ 20%-90%RH	
Radiation Shield(optional)	RK95-02B	

DIMENSION




MOUNTING

1. Install the product in stable environment area, avoid direct sunlight, away from windows air-conditioning, heating and other equipment. Otherwise it will cause measurement inaccuracies.
2. If you use indoor, you should use two screws directly fix on the wall.

PARAMETER SELECTION TABLE

Remark	Series	Type	Range	Output	Humidity accuracy	Accessory	Cable Length	
RK								
	330							
		05						
			A					0-50°C/0-100%RH
			B					-20-60°C/0-100%RH
			C					-20-80°C/0-100%RH
			X					Other
				A				4-20mA
				B				0-5V
				C				0-10V
				D				RS485
				X				Other
					A			±5%RH
					B			±3%RH
					C			±2%RH
						A		With radiation shield
						N		Without any accessory
							1500	Units:mm (typ)
							3000	Units:mm
							...	Units:mm

Example: RK330-05AAAA1500 Range: 0-50°C/0-100%RH, Output: 4-20mA, Humidity accuracy: ±5%RH, With RK95-02B radiation shield, Cable Length:1.5m.

 Complies with applicable CE directives.

Specifications subject to change without notice. Version 3.0

Copyright © 2015 Hunan Rika Electronic Tech Co.,Ltd

Hunan Rika Electronic Tech Co., Ltd

Add: Building B5, Taskin, Yuhua District,
Changsha City, Hunan Province,
China



+86-731-85132979



info@rikasensor.com



www.rikasensor.com