

Scattering radiometer is composed of Pyranometer and shielding ring. The purpose of a shielding ring is to keep the sun's direct radiation out from sunrise to sunset. The shielding ring is composed of shielding ring, ruler, adjusting screw, bracket and chassis. The width of the shielding ring is 65mm and the diameter is 400mm. The shielding ring is fixed on the screw rod adjustment spiral of the ruler, on which the latitude scale and declination scale are engraved. The ruler and bracket shall be fixed on the chassis according to the geographical latitude of the location. It can be widely used to continuously measure the scattered radiation intensity of the sky with meteorological stations and scientific research departments.

## APPLICATIONS

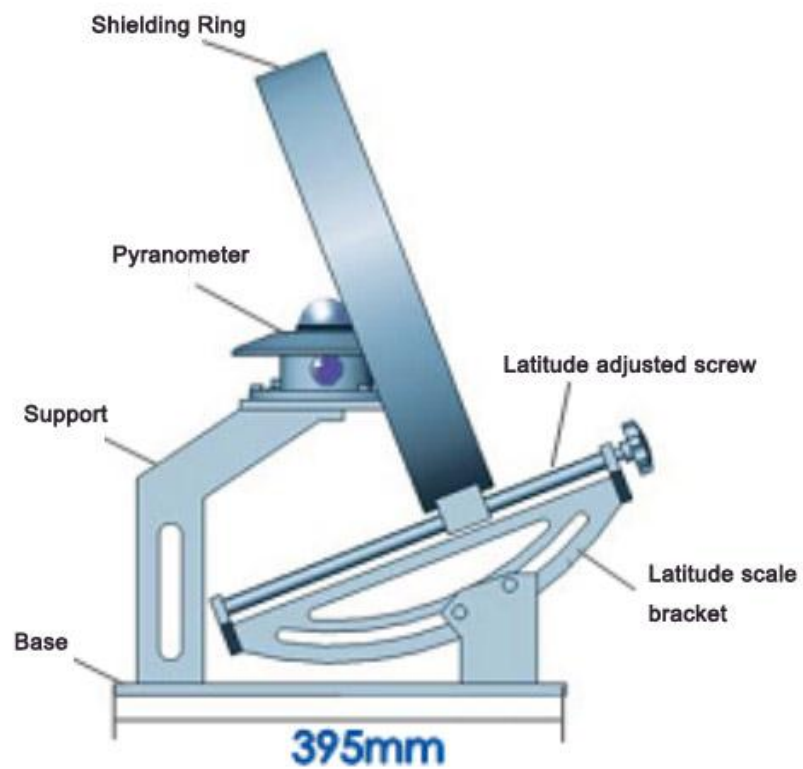
- Solar energy resources evaluation
- Solar energy & photovoltaic power generation
- Agriculture and forestry monitoring
- Crop growth monitoring
- Tourism eco
- Weather stations



## SPECIFICATIONS


Item	Specification
Spectral range	280-3000nm
Supply	12-24VDC
Range	0-2000W/m <sup>2</sup>
Output	0-5V, 4-20mA, RS485
Sensitivity	7-14μV*W <sup>-1</sup> *m <sup>2</sup>
Latitude scale range	0~50°N or S
Red latitude	±25°
Ring diameter	Φ400mm
Accuracy	<±2%
Response time	≤30s(99%)
Stability	±1%/year
Temperature effect	±1%(-10°C-+40°C)
Operating temperature	-40°C-+80°C
Weight(unpacked)	15kg
Ingress Protection	IP65
Storage Condition	10°C-60°C@20%-90%RH

**DIMENSION**



## INSTALLATION

1. First installed Shielding Ring in the observatory, the of the direction and level of shielding ring is important. Therefore, must make the edge chassis when installed on the north and south, make the instrument ruler points to the north and south, (the northern hemisphere, shielding ring handle screw knob toward the north; and the southern hemisphere, south block ring screw adjusting knob handle). Then, the base plate of shielding ring is fixed on the observation bracket with bolts.
2. Fix the position of ruler according to the local geographical latitude, so that the indicated value of ruler scale is consistent with the local latitude;
3. Install the pyranometer horizontally on the platform of the shielding ring, the position should be just so that the pyranometer blackening surface of the sensing surface in the center of the shielding ring. adjust the level of the pyranometer and fix it;
4. Please keep the shielding ring clean and flexible screw rotation. If you find the screw rod with dust or rotation is not flexible, especially after wind sand, to use gasoline or alcohol to wipe the screw rod. Please take off the shielding ring with a cover if you will not use it for long time, so as to avoid the screw rod and related parts corrosion.

 Complies with applicable CE directives.

Specifications subject to change without notice. Version 1.0

Copyright © 2015 Hunan Rika Electronic Tech Co., Ltd

### Hunan Rika Electronic Tech Co., Ltd

Add: Building B5, Taskin, Yuhua District,  
Changsha City, Hunan Province,  
China



+86-731-85132979



info@rikasensor.com



www.rikasensor.com