

RK900-11 mini automatic weather station is a civil integrated weather station independently developed by our company that can measure multiple meteorological parameters. It can simultaneously measure six major meteorological elements such as atmospheric temperature, atmospheric humidity, wind speed, wind direction, air pressure and rainfall. RK900-11 user a low-power chip with a power consumption of only 1.7W, which is especially suitable for solar energy or battery-powered environment with high requirements on power consumption. As a result of the adoption of new technology and new process, the structure is more compact and compact. Solar radiation and solar illuminance detection module can also be selected, which is very suitable for supporting agricultural meteorological system. The outer shell is ABS engineering plastic, available in black and white.

## FEATURES

- High accuracy, fast response
- Easy to install, all-weather measurement
- RS485/RS232/SDI-12 output
- No moving parts, maintenance free
- Use radar measurement of precipitation, accurately reflect the rainfall and start-stop moment
- Compact and compact structure
- low power consumption



## APPLICATIONS

- Environmental monitoring
- Sea-going vessel
- Bridge & Tunnel
- Solar and wind power generation
- Wind resource assessment
- Drilling platform
- Automatic weather station
- Agriculture

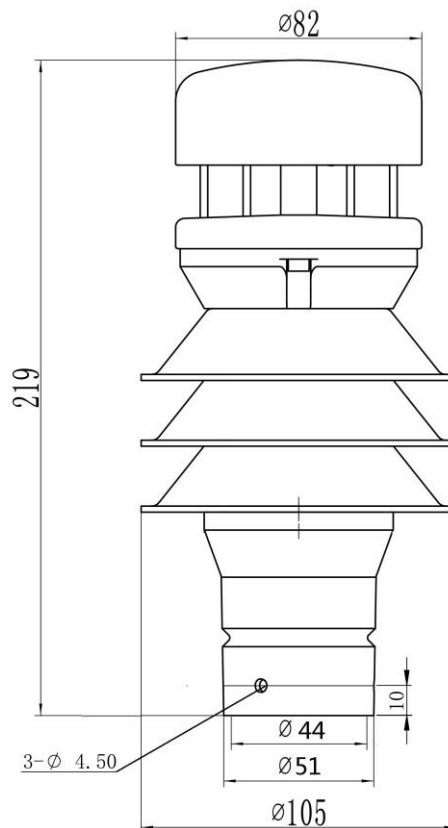
## TECHNICAL SPECIFICATION

Item	Technical Specification		
	Range	Resolution	Accuracy
Wind speed	0-40m/s	0.1m/s	±3%
Wind direction	0-359°	1°	±3°
Atmospheric temperature	-40℃ — +80℃	0.1℃	±1℃
Atmospheric humidity	0—100%	1%	±3%
Atmospheric pressure	150 — 1100hPa	0.1hPa	±1
Rainfall	0-200mm/hr.	0.1mm	±5% ( @ wind speed ≤ 5m/s )
Altitude	-500m — 9000m	1m	±8%

Radiation	0-2000W/m <sup>2</sup>	0.1 W/m2	±5% ( @ Vertical irradiation)
Illumination	0-200000lux	0.1 lux	±5% ( @ Vertical irradiation)
UV	0-2000W/m <sup>2</sup>	0.1W/m2	±10%
PM2.5	0-2000 ug/m3	1 ug/m3	±10%
PM10	0-2000 ug/m3	1 ug/m3	±10%
Visibility	10-5000m	1m	±15%
<b>Item</b>	<b>Technical Specification</b>		
Power Supply	12-24VDC		
Power consumption	1.7W		
Output Signal	RS232/RS485(Modbus or NMEA-183), SDI-12		
Operating Temperature	-20°C+60°C		
Ingress Protection	IP65		
Dimension	Φ82mm× (108-240) mm (Dimensions will vary depending on the parameters)		
Weight(unpacked)	0.38kg		
Main material	ABS		

## DIMENSION

Unit:mm



**PARAMETER SELECTION TABLE**

Remark	Series	Type	Supply	Output	Communication Protocol	Measure parameters	
RK							
	900						
		11					
			A				12-24VDC
			X				Other
				A			RS232
				B			RS485
				C			SDI-12
					A		Modbus-rtu(default)
					B		NMEA-0183
					C		SDI-12
					X		Other
						M5	Wind speed, wind direction temperature & humidity air pressure
						M6	Wind speed, wind direction temperature & humidity air pressure , rainfall
						X	Customized①

① Wind speed and direction are necessary, and other parameters can be combined freely


**CE** Complies with applicable CE directives.

Specifications subject to change without notice. Version 3.1

Copyright © 2015 Hunan Rika Electronic Tech Co.,Ltd

**Hunan Rika Electronic Tech Co., Ltd**

Add: Building B5, Taskin, Yuhua District,  
Changsha City, Hunan Province,  
China

 +86-731-85132979

 info@rikasensor.com

 www.rikasensor.com