

RKL-02B Radar Liquid Level is non-contact Transmitter narrow microwave pulse, the pulse in the space at the speed of light transmission, met on the surface of measured medium, some of its energy is reflected back, by the same antenna. Firing pulse and receives the pulse interval and the antenna to the surface of the measured medium is proportional to the distance, to calculate the distance on the surface of the antenna to the measured medium.

FEATURES

- Small beam Angle, the energy concentration, strong anti-interference, high accuracy and reliability
- Range of up to 70 meters, covering large reservoir and other water level measurement
- K Band frequency 20 GHz - 30 GHz
- Multiple output signal is optional
- Transmitted power is extremely low, no harm to human body and environment > 500m.
- According WMO : No 168 HYDROLOGICAL
- Easy Installation with Data Logger



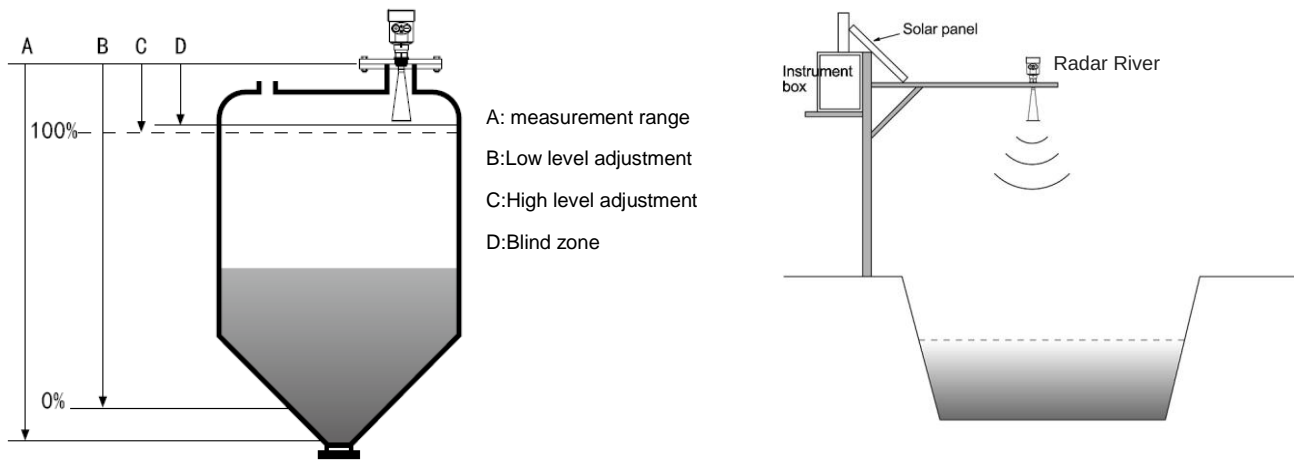
APPLICATIONS

- River water level measurement
- Lake water level measurement
- Shallow water level measurement
- Hydrographic survey
- Environmental protection

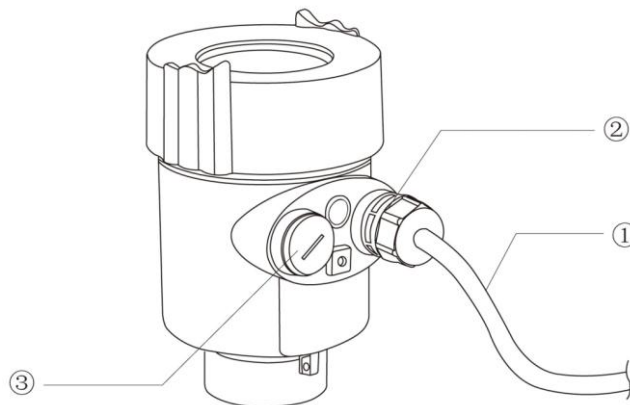
SPECIFICATIONS

| Item | Technical specifications |
|-----------------------|----------------------------------|
| Range | 10m,30m up to 50m,70m |
| Output | 4-20mA, RS485(MODBUS-RTU) |
| Supply Voltage | 12VDC,24VDC (Solar Cell),220VAC |
| Process connection | G1_1/2,support flange |
| Working frequency | Range 0.5 - 15m |
| Accuracy | ±3mm |
| Display : resolution | 128*64LCD display resolution:1mm |
| Relay alarm | 250VAC/30VDC@5A Optional |
| Ingress Protection | IP67 |
| Medium temperature | -40~+150°C |
| Medium pressure | -100~100kPa |
| Operating Temperature | -40°C~ +85°C |
| Housing material | Aluminum alloy |
| Antenna material | 304ss |
| Shock | 10m/s ² @10~150Hz |
| Storage Condition | 10°C-50°C@20%-90%RH |

MOUNTING



Radar antenna launch microwave has a certain Angle, from the edge of the antenna to the surface between the measured medium, and launch a microwave beam radiation areas shall not be an obstacle.

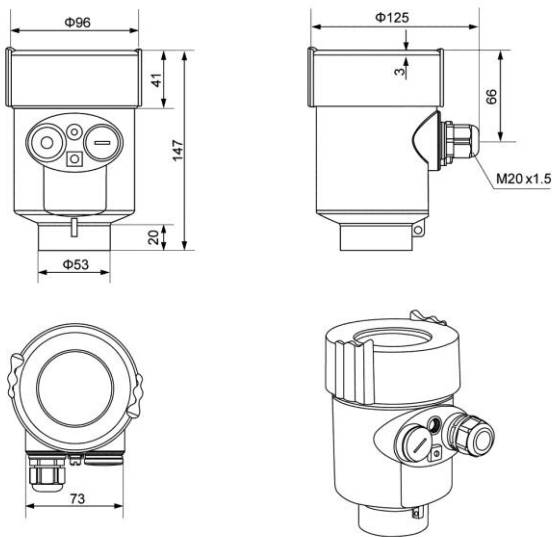


In order to ensure that products meet the requirements of IP67 rating, please make sure:

- The sealing head intact;
- The cable is not damaged;
- Ensure that the cable used in line with the requirements of electrical connection in the specification;
- Before entering the electrical interface, the cable bending down, to ensure that water will not flow into the shell, as shown ①;
- Please tighten the cable seal head, see ②;
- Please return the unused electrical interfaces to blind plugging plugging tight, see ③.

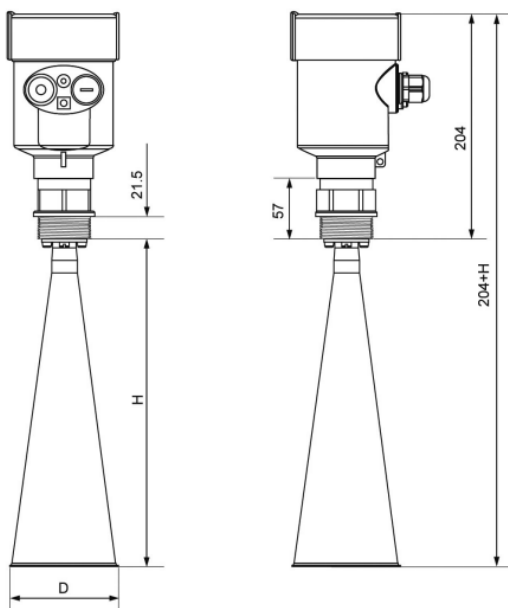
DIMENSION

Unit:mm

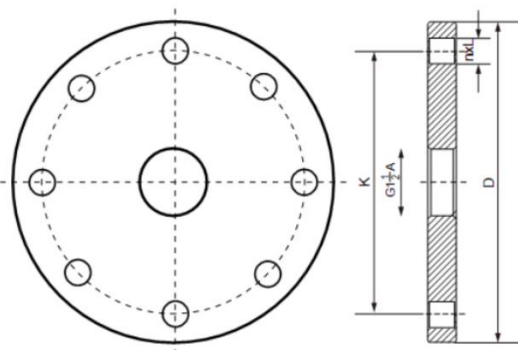


Housing dimension

D: Range <30m: Φ120mm
 Range >30m/<70m: Φ96mm
 H: 288mm
 Flange(optional): DN100



| Flange | D | K | n | L |
|--------|-----|-----|---|----|
| DN100 | 220 | 180 | 8 | 18 |




Flange dimension




PARAMETER SELECTION TABLE

| Remark | Series | Range | Supply | Output | Process connection | |
|--------|--------|-------|--------|--------|--------------------|---------------------|
| RKL | | | | | | |
| | 02 | | | | | |
| | | A | | | | 10m |
| | | B | | | | 30m |
| | | C | | | | 50m |
| | | D | | | | 70m |
| | | X | | | | Other |
| | | | A | | | 12VDC |
| | | | B | | | 220VAC |
| | | | C | | | 24VDC |
| | | | | A | | |
| | | | | B | | 4-20mA (2 -wires) |
| | | | | C | | RS485 (4-wires) |
| | | | | X | | Other |
| | | | | | G | G1_1/2 |
| | | | | | F | Flange DN100 |
| | | | | | X | Other |
| | | | | | | |
| | | | | | | |
| | | | | | | |
| | | | | | | |
| | | | | | | |
| | | | | | | |
| | | | | | | |
| | | | | | | |
| | | | | | | |
| | | | | | | |
| | | | | | | |

Example: RKL-02BABG Range:30m , Supply:12VDC,Output:4-20mA (2-wires).

 Complies with applicable CE directives.
 Specifications subject to change without notice. Version 3.0
 Copyright © 2015 Hunan Rika Electronic Tech Co.,Ltd

Hunan Rika Electronic Tech Co., Ltd
 Add: Building B5, Taskin, Yuhua District,
 Changsha City, Hunan Province,
 China

 +86-731-85132979
 info@rikasensor.com
 www.rikasensor.com