

RK300-08 Multi-in-one Gas Sensor adopts high-precision chip for data acquisition, advanced technology of manufacturing technique and surface mount, which to ensure accurate and reliable measurement data. It has outstanding characteristics in measurement accuracy, linearity, repeatability, interoperability, consistency and other aspects. It is suitable for environmental equipment matching, integration, and most of the general environmental tests. RK300-08 with complete monitoring parameters and accurate data. The parameters can be customized according to the requirements, up to 5-6 parameters, including air temperature, air humidity, CO₂ concentration, CO concentration, PM1.0/2.5/10.0, atmospheric pressure, formaldehyde, oxygen, ozone, volatile organic compounds, etc.

FEATURES

- High Sensitivity
- Fast response
- Effective resistance to water vapor
- Excellent stability
- Long service life



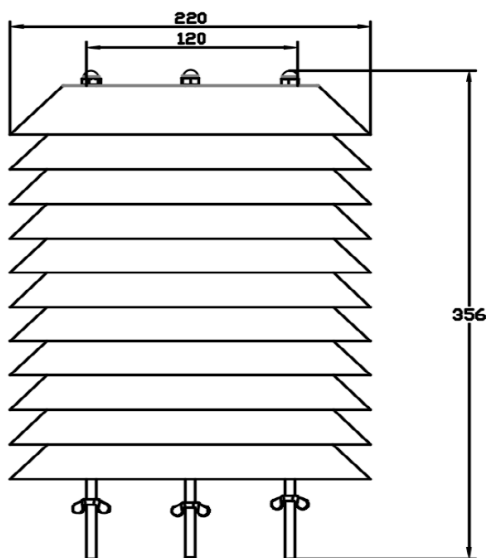
TECHNICAL SPECIFICATION

Item	Technical Specification		
	Range	Resolution	Accuracy
Temperature	-30°C~70°C	0.1°C	±0.3°C
Humidity	0~100%RH	0.1%RH	±3%RH
Illuminance	0~200K Lux	10Lux	±5%
Dew point temperature	-100°C~40°C	0.1°C	±0.3°C
Air pressure	300~1100hPa	0.1hPa	±1hPa
CO ₂	0~5000ppm	1ppm	±50ppm + 3%FS
CO	0~1000ppm	1ppm	±5%FS
PM1.0/2.5/10	0~1000µg/m ³	1µg/m ³	±10%FS
TSP	0~2000µg/m ³	1µg/m ³	±15%FS
TVOC	0~10ppm	0.001ppm	±3%FS
CH ₂ O	0~10ppm	0.01ppm	±3%FS
O ₂	0~30%VOL	0.1%VOL	±3%FS
O ₃	0~10ppm	0.01ppm	±3%FS
NH ₃	0~100ppm	0.01ppm	±3%FS
H ₂ S	0~100ppm	0.01ppm	±3%FS
NO	0~250ppm	0.01ppm	±3%FS
NO ₂	0~20ppm	0.01ppm	±3%FS
Odour	0~50ppm	0.01ppm	±3%FS
SO ₂	0~20ppm	0.1ppm	±2%FS
Supply	12-24VDC		
Output	RS485		
Warm Up Time	3min		

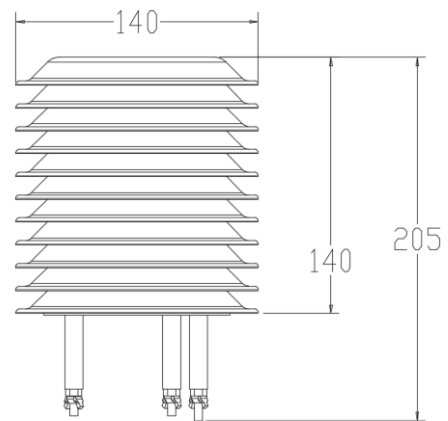
Response Time	<1s
Stability	<±1%FS
Repeatability	<±2%FS
Operating Temperature	-20°C-+60°C@15-80%RH
Storage	-40-70°C@20%-90%RH
Shell Material	ABS

DIMENSION

Unit:mm



3-4 gas parameters



1-2 gas parameters

Hunan Rika Electronic Tech Co., Ltd

Add: 10th Bd, International Enterprise Center,
No.268 Xinxing Rd, Yuhua Dist, Changsha,
410116 Hunan, China.



+86-731-85132979



info@rikasensor.com



www.rikasensor.com