

The product uses the high-precision weighing principle to measure the liquid weight in the evaporation pan, and calculates the liquid level of evaporation loss by measuring the difference of the liquid weight before and after the measurement. The evaporating dish is made with high-quality stainless steel, which has good anticorrosive and anti erosion characteristics. It ensures the measurement accuracy and can be used in conjunction with the automatic weather station or professional evaporation recorder.

## FEATURES

- High precision
- Easy installation
- Stable performance, good linearity
- Operation is simple
- Whole stainless steel material
- A variety of signal output



## APPLICATIONS

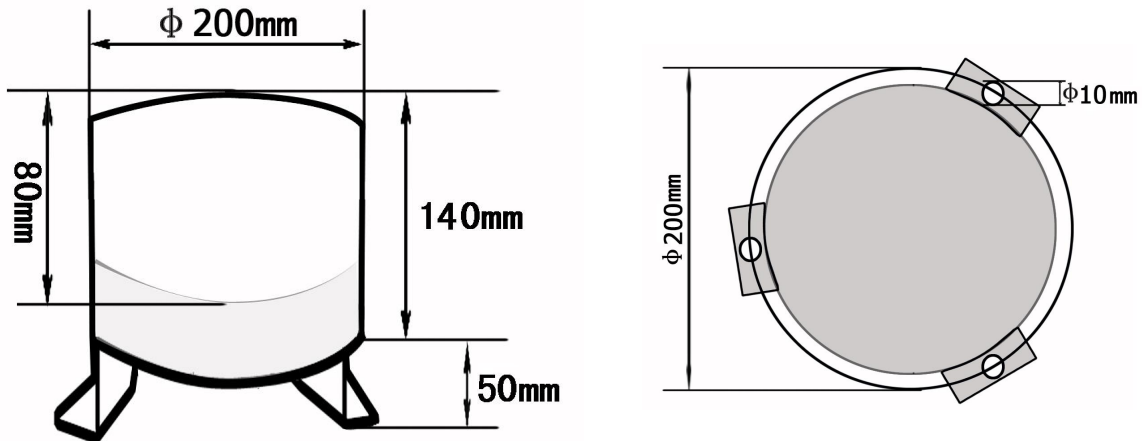
- Greenhouse
- Hydrologic monitoring
- Environmental protection
- Plants and seed cultivation
- Agroforestry research
- farming
- Climate research

## SPECIFICATIONS

Item	Specification
Evaporation pan	Diameter :φ200mm
Range	0-75mm
Response time	<1s
Accuracy	±1%
Power Supply	5V,12-24V
Output	4-20mA,0-2V,0-5V,RS485
Operating temperature	-30-+80℃
Ingress protection	IP65
Main material	304SS
Weight(unpacked)	2.5kg

## DIMENSION


Unit:mm



## PARAMETER SELECTION TABLE

Remark	Series	Type	Supply	Output	Cable length	
RK						
	400					
		10				
			A			5V
			B			12-24V
			X			Other
				A		4-20mA
				B		0-5V
				C		0-2V
				D		Rs485(Modbus-RTU)
				X		Other
					2000	Unit:mm
					...	Unit:mm

Example: RK400-10BC2000 Supply:12-24V, Output:0-2V, Cable length:2m.

 Complies with applicable CE directives.

Specifications subject to change without notice. Version 3.0

Copyright © 2015 Hunan Rika Electronic Technology Co.,Ltd

**Hunan Rika Electronic Technology Co., Ltd**

Add:No 499# of Yingxin Road,  
Yuhua District,Changsha,  
Hunan,China



+86-731-85132979



info@rikasensor.com



www.rikasensor.com.cn