

RK510-01 is a high accuracy, high sensitivity of soil moisture measuring instrument. The product on the principle of electromagnetic pulse (FDR: Frequency Domain Reflectometry) to measure the dielectric constant of the soil, stainless steel probe is inserted into the soil surface or soil profile to quickly online measurement of soil volumetric moisture content, the method is the most popular method of soil moisture measurement. It can be used permanently embedded in the soil. Soil moisture sensor can be widely applied to the soil moisture monitoring, water-saving irrigation, greenhouse control, fine agriculture, hydrology and meteorology, and other fields, road monitoring.

FEATURES

- Four 316L needle probe
- High stability
- High accuracy
- Fast response
- Easy Installation
- Is not affected by chemical fertilizer and the influence of metal ions



APPLICATIONS

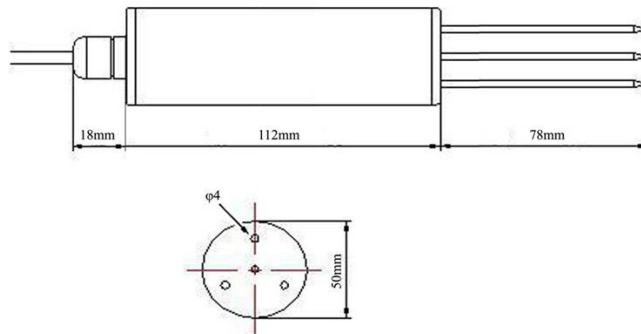
- Agriculture irrigation
- Greenhouse
- Grass farm
- Environment monitoring
- Water conservation
- Soil testing

TECHNICAL SPECIFICATION

Item	Technical Specification
Range(m ³ /m ³)	0-100%,0-50%,0-30%,
Accuracy	±2%(0-50%)
Output Signal	4-20mA ,0-5V,0-2V,RS485 optional
Response Time	<1s
Supply	5V,12-24VDC
Effective measurement area	With the center of the probe diameter is 70mm, high 70mm cylinder
Housing	ABS
Dimensions	Ø50*208mm(probe:Ø4*78mm)
Operating Temperature	-30℃-+70℃
Ingress Protection	IP67
Storage	10-60℃@20%-90%RH
Probe material	316L stainless steel

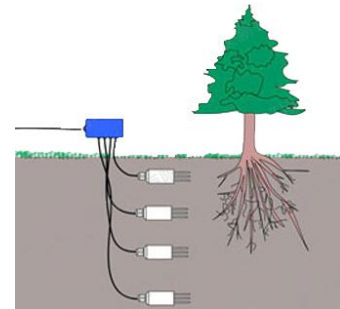
DIMENSION

Unit:mm



MOUNTING


- Testing medium should be with uniform intensity;
- If surface soil water content measurement, the sensor should be insert into soil vertically. Do not shake the sensor when inserted, otherwise the probe will be blended;
- If multi-layer soil water content measurement, the sensor should be buried in the soil and parallel to the ground. Make sure the probe not be blended;
- When removing sensors from the soil, please hold the sensor housing shell and do not forcibly pull on the cable. Soil on probes should be brushed tightly;
- Please keep the sensor in dry & clean conditions.



PARAMETER SELECTIONTABLE

Remark	Series	Type	Range	Supply	Output	Cable Length	
RK	510	01	A				100%
			B				50%
			C				30%
				A			5V
				B			12-24V
				X			Other
					A		4-20mA
					B		0-5V
					C		0-2V
					D		RS485
					X		Other
						2000	Units:mm (typ)
						...	Units:mm

Example: RK510-01ABA2000 Range:0-100%, Supply: 12-24V, Output:4-20mA,Cable Length:2m.

 Complies with applicable CE directives.

Specifications subject to change without notice. Version 3.0

Copyright © 2015 Hunan Rika Electronic Technology Co.,Ltd

Hunan Rika Electronic Technology Co., Ltd

Add:No 499# of Yingxin Road,
Yuhua District,Changsha,
Hunan,China



+86-731-85132979



info@rikasensor.com



www.rikasensor.com.cn